



**SolaMist<sup>TM</sup>**

**SOLAR POWERED MISTING SYSTEM**

**US PATENT PENDING**

**OWNER'S MANUAL**

**NOTE: Your new SolaMist mosquito and insect misting system qualifies for a 30% federal tax rebate. This means that you will receive a 30% tax credit for the entire purchase amount. Go to [www.RemingtonSolar.com](http://www.RemingtonSolar.com) and click on “Tax Rebate” for details.**

Your new SolaMist mosquito and insect misting system includes:

- SolaMist “egg shell” unit
- Touch screen spray schedule controller
- Solar panel with 9 foot cord and stand
- 45 feet tubing
- 35 tube clips
- 15 spray nozzles
- 1 T - fitting
- 1 coupling
- 2 end cap nozzles
- 1 hand held remote control for instant sprays
- 1 SolaMist Pro Concentrate for one fill (approx. 2-4 weeks usage)
- iPhone and Android application (available on iTunes and Google)

## **IMPORTANT!**

Your SolaMist needs to be in the shade to keep the battery cool. You may order a solar panel extension cord at [www.RemingtonSolar.com](http://www.RemingtonSolar.com) if this is not possible.

Also, your SolaMist needs to charge for a full day before use. SolaMist is battery powered when charged from the solar panel. You may order a 110v charging cord at [RemingtonSolar.com](http://RemingtonSolar.com) as well if you don't want to use the panel.

Use only SolaMist Pro Concentrate. Some other concentrates will clog nozzles. Use the SolaMist app to reorder and see updated approved concentrates.

Get the Owner's Manual by going to [RemingtonSolar.com](http://RemingtonSolar.com) and click on the Help Menu

## MAIN ACCESSORIES



**Nozzles (snap on), One line adapter (tube from pump to tubing), 2 End Caps, One T-line splitter, one coupling**

**NOTE: There is one T-fitting that allows you to split your tubing and go into two different directions. There is only one T-fitting. This fitting will allow for tubing to fit into each hole. (A nozzle will not fit into that particular fitting. That's how you can tell which one it is.)**



Screw Clips



Tubing



Remote Fob



**KEEP YOUR WARRANTY...BETTER READ THIS!**

**READ FIRST! IMPORTANT: WINTERIZATION**

Freezing can damage the tubing, nozzles, pump, and unit. Before the first freeze, empty your SolaMist unit. Pour approximately one gallon of environmentally safe windshield washing fluid into the unit. Run the unit in one-minute bursts until the unit has used most of the liquid. *Failure to do this procedure will void the warranty.*

**READ FIRST! Another Important Tip:**

Use a minimum of 15 nozzles and a maximum of 30 for your spray tube. Fewer than 15 nozzles on a tube will be too much pressure and can damage your tubing, pump, and/or nozzles. More than 30 nozzles may not open the nozzle valves. Therefore, when customizing your spray area, make sure you put your check valves after a minimum of 15 nozzles.

**20 SECOND RULE!**

The app and controller that manages your spray schedule and your “one minute spray blasts” refreshes every 20 seconds. This means that if you send a lot of commands too

quickly on your app to SolaMist, the system may freeze. This is not a flaw in the system, rather it is how you can control and kill mosquitoes from anywhere in the world. If the controller is unresponsive, you will need to turn off the controller on the switch and restart. Just send one spray and wait. If you want to reset the spray schedule, set it, and then wait at least 20 seconds before you send any other command through the app or on the controller directly. Go slowly with your commands!

## QUICK START GUIDE

Your new SolaMist mosquito and insect misting system is the most advanced and easy-to-use system on the market. Your SolaMist system does not have a plug-in charger. It is only powered by your solar panel which stores electricity in the battery.

The controller inside your SolaMist unit is designed to stay on. The screen will darken after 2 minutes of idling to conserve power. It's a good idea to turn it off for the winter months and turn it back on in springtime. Just remember to give the battery a full charge by connecting it to the solar panel for at least 4 hours before using. It's easy to reset your schedule any time.

## HOW TO INSTALL

### 1. INSTALL THE SOLAR PANEL



Fig. 1

Place your solar panel in a sunny place with the panel angled towards the maximum angle of the sun. It should only require about 4 hours of light to get a full charge, even in a cloudy day.

If you prefer to mount the panel farther away from your unit, longer extension cords are available in the SolaMist online store through the SolaMist app or by going to [RemingtonSolar.com](http://RemingtonSolar.com))



Fig. 2

Connect the cable from the solar panel to the controller. Screw the quick connect neck in tightly.

## 2. CONNECTING THE TUBING



Fig. 3

Find the adapter that press fits onto the clear tubing coming out of the pump. Push that on.

**You can remove tubing from nozzles by pulling the blue ring back.**



Fig. 4

Take the end of your long tubing and press fit it into the other end of the adapter. Start cutting your tubing where you want the nozzles to start.

**In the future, whenever adding or changing tubing or taking you SolaMist on the go, disconnect from connector (Fig. 4).**

SolaMist was created for you to customize your own mosquito-free zone.

Your unit has been supplied with 45 feet of tubing and 15 nozzles. You purchase an extension which will give you up to 90 feet and 30 nozzles in your yard, or cut some portion to use as a portable sprayer for a different location/purpose (such as camping, RVing, sporting events, picnics, etc.) Therefore, you may consider using 45 feet or so to take with you. **(BE SURE TO USE A MINIMUM OF 15 NOZZLES PER SECTION)**. You would simply disconnect from main unit, take it along with the rest of tubing and nozzles with you.

### 3. INSTALL NOZZLES

First, we recommend you decide what area you want to make bug-free. You also need to consider where you put your unit, and where you put your solar panel so that it will catch the most sun. **Your panel has to be in the sun for about 4 hours every day to give the battery a full charge.** However, your unit will only run for a few minutes a day (at the most), so you shouldn't have to worry about running out of power.

Once the location of the main unit and panel is decided, you can then lay out the tubing in a general path where you want your spray zone. You will probably want to conceal the tubing as much as possible, but giving the nozzles clearance to spray. Laying out the tubing first will let you know roughly how much tubing you need to work with. You may want to go vertical up to a tree, fence, or porch trim. You only have to put nozzles where you want the spray to be. So you may not put a nozzle on the first few feet or so. Preferably, you want the nozzles to be at least 5-6 feet off the ground.

You will be cutting the tubing and adding nozzles in between. We recommend that you space the nozzles 3 feet apart. Use sharp scissors to cut through the tubing where you want a nozzle. Simply press fit the ends in, and push the nozzles in to the top.

**IMPORTANT: Make sure the little screw on top of all the nozzles are screwed in tightly to the body of the nozzle.**

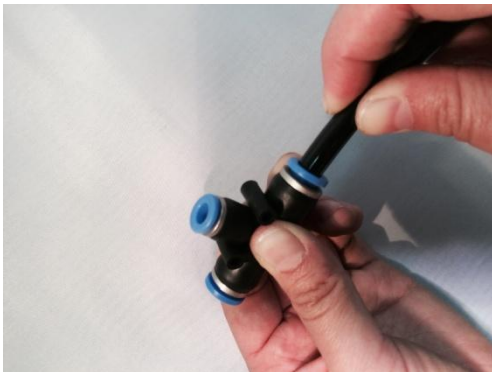


Fig. 5

There is a small blue band around each connector. Pull that back, and insert tubing.



Nozzles tips simply press fit on the top. Push them all the way in and make sure the tip on the end is screwed in snugly by turning clockwise.





Fig. 6

Use the provided screw clips to attach tubing on wood material like trees, fences, or trim.

**Tip: Install the nozzles before you screw in the tube will make the job a lot easier.**



Fig. 7

Adjust the nozzles after the tube is installed to get your desired spray angle.

You can also use stakes for campouts when there are no trees or anything to hang the nozzles. (Just be careful with kids, pets, and even grownups walking through the tubing!)

The SolaMist pump is powerful enough for you to use all 30 nozzles on 90 feet of tubing. However, if your spray zone does not require so many nozzles like that of a balcony, we recommend you cut off some of the tubing as a portable system. You may also go to SolaMist store through your app or online to [www.RemingtonSolar.com](http://www.RemingtonSolar.com) to purchase additional panels and portable kits if necessary.

**REMEMBER: Due to the pressure of the pump, you need at least 15 nozzles in each continuous section of tube when customizing your spray area.**

## SOLAMIST PRO CONCENTRATE

Your SolaMist system comes with one refill of SolaMist Pro Concentrate.

- **IMPORTANT:**  
Fill the main “egg” unit with water first (leave about an inch for the SolaMist Pro concentrate). Then add the concentrate. If you add the concentrate first, foaming will occur.
- **IMPORTANT:**  
SolaMist Pro Concentrate is formulated for the SolaMist mosquito and insect misting system only. Our concentrate has surfactants and other cleaners in the formula which will keep the nozzles clean.

**NOTE:** SolaMist Pro Concentrate is a non-toxic environmentally friendly pesticide. In national tests compared to other misting concentrates, however, SolaMist Pro Concentrate is shown to be the most effective at actually killing mosquitoes, gnats, wasps, spiders, and roaches.

### **How long with my concentrate last?**

NOTE: Most other mosquito systems are designed without real regard to conserving misting concentrate, especially the larger 55 gallon systems. (Guess why that is!) SolaMist is designed to allow you the flexibility to use the system only when you need it, and where you need it...thus managing your SolaMist Pro concentrate expenses. You may order refills using our iPhone or Android app, or by going to our website at [RemingtonSolar.com](http://RemingtonSolar.com). You may purchase online in 4-packs of 16 oz. Light use will last you estimated 8 to 12 weeks. Heavy use will last 4 to 6 weeks.

The spray time is preprogrammed for 45 seconds per each spray with 10 minutes interval. This setting you cannot change. But you can choose how many sprays you want. Your SolaMist reservoir is approximately 12 gallons. You will get approximately 60 45-second sprays if you use all 30 nozzles. Using the maximum setting of 5 sprays in the morning and 5 in the evening, assuming you are using all 30 nozzles, you can expect to go through your concentrate in 6 days. However, if you use a check valve and split your usage in half, you can expect to go 12 days. And if you use your system in the evening (for example) but not in the morning, then you can go nearly a month on one fill.

One of the greatest benefits of using the SolaMist system is that you control your usage and costs. It is not uncommon for **other misting systems** to cost \$150-200 per month to

run. **With SolaMist, your costs can be a fraction of that,** depending on when and how you use your system.

## SET YOUR SPRAY SCHEDULE

You have two choices. You can use

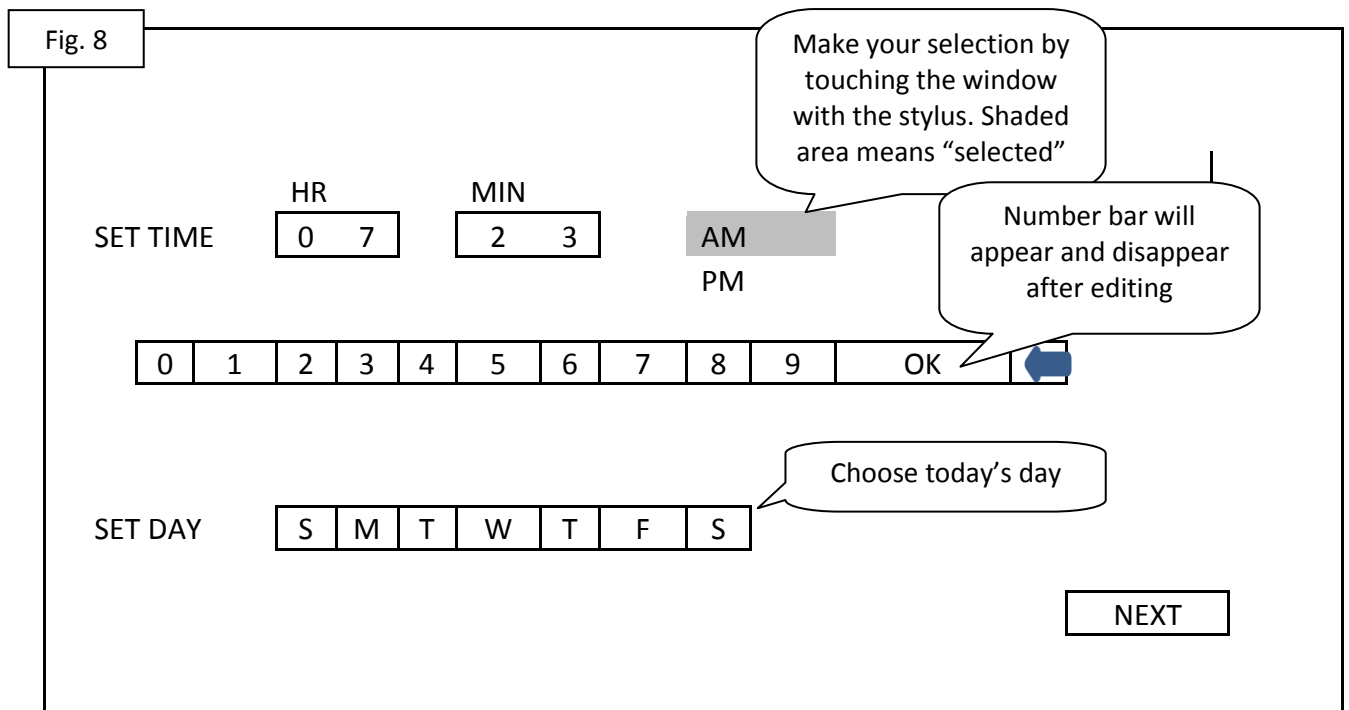
- **The touch screen controller** in the unit to set your spray schedule. Or you can use our
- **iPhone or Android app.** (search the iTunes or Google stores for “solamist”). Whether you use the app or the controller itself, the last schedule you set will override the previous one.

### 1. Using the controller

**IMPORTANT: Your controller must stay on for the system to operate. It does not matter if it is in “Online” or “Offline” mode. The screen will darken after two minutes to conserve power. Touch the screen to activate.**

SolaMist is designed to be a “set and forget” type of system. Mosquitoes are more active in the morning and the evening. Our misting solution is most effective by spraying in 45 second bursts every 45 minutes. You have the choice of how many sprays you want in each cycle. You may choose up to 5 sprays during a roughly 4 hour period. For heavy mosquito populations, you may want to choose 4 or 5 sprays per cycle. For light mosquito populations, you may want fewer. You can always use the “1 minute instant spray” button to spray one burst for 60 seconds for a boost anytime you need it, this will not interfere with the previously programmed cycle.

When you open the lid of the “egg”, you will see a touch screen controller. Activate the controller and you will see a master display. Below is a flow chart to guide you through each setup.



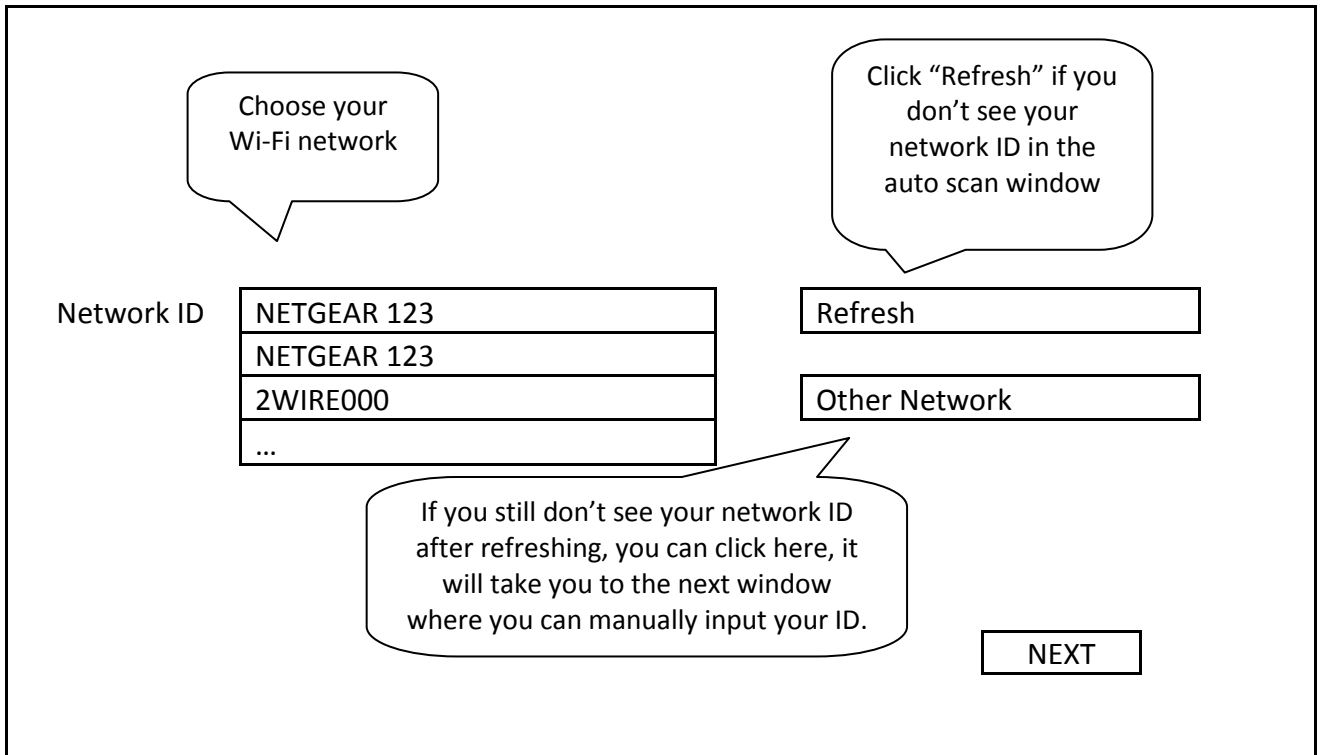


Fig. 9

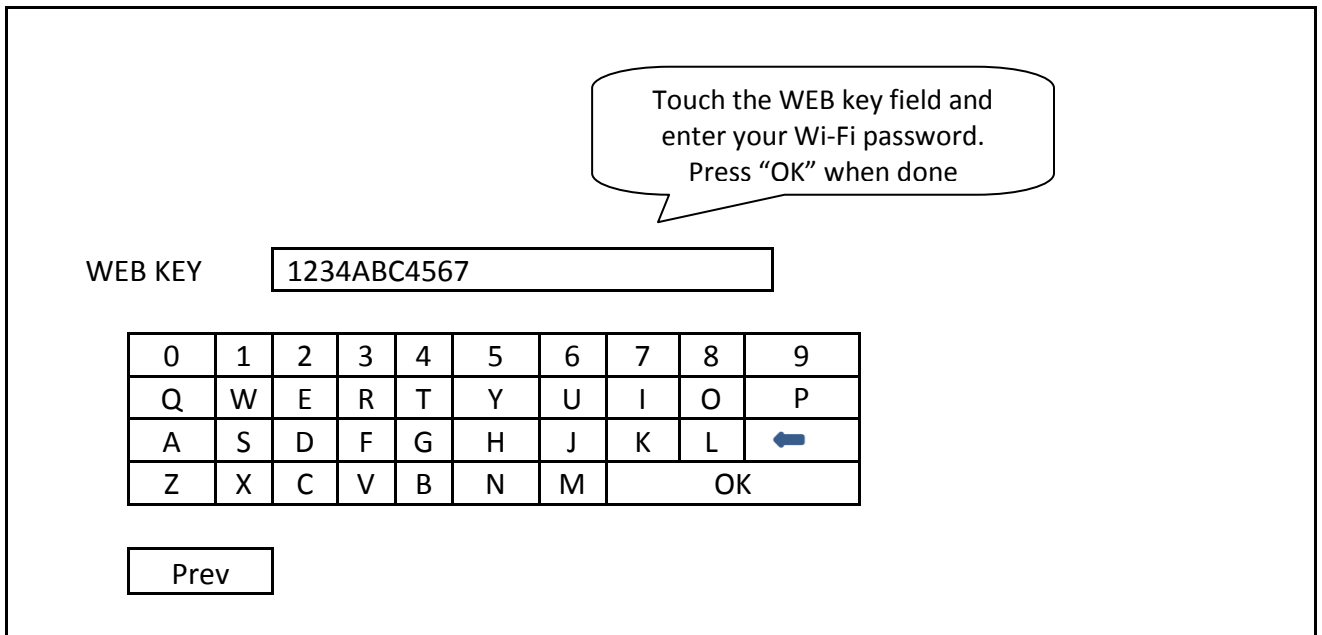


Fig. 10

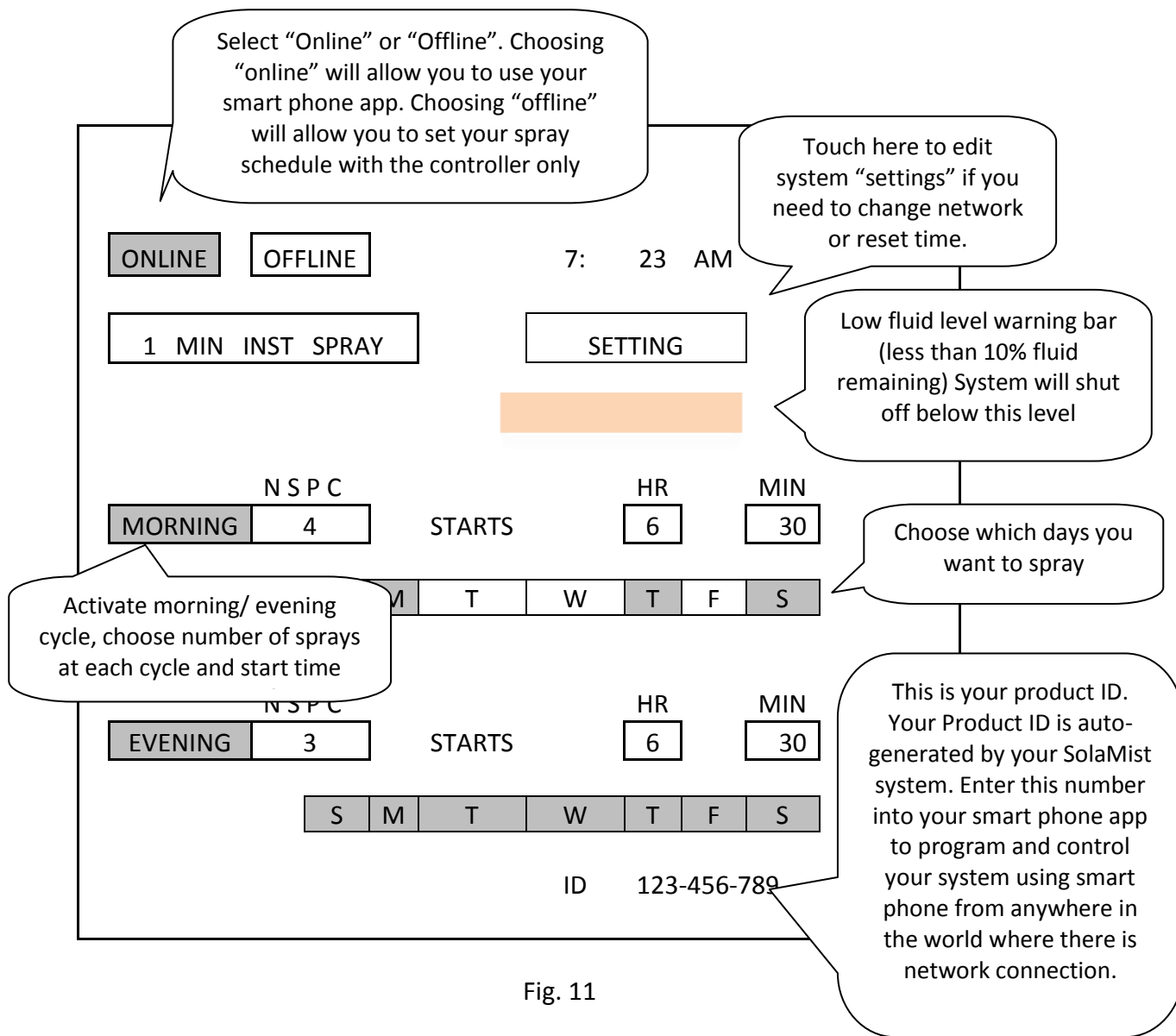


Fig. 11

**Once set, it will automatically save the information. The latest setting will also automatically overwrite the previous one; it doesn't matter if it is set through the app, or on the controller screen.**

**Note:**

- "NSPC" Stands for "Number of Sprays Per Cycle". Each spray last 45 seconds, delivered at 45 minute intervals.
- You can add a single minute of spray by touching "1 min inst spray" any time.

## 2. Using the iPhone or Android app



**IMPORTANT:** You will need a strong Wi-Fi signal for your SolaMist to operate with your app. If your SolaMist is too far from your Wi-Fi router, you will either need to move the SolaMist closer, or purchase a Wi-Fi booster and put it near the SolaMist unit. (You will get a “network error” message if the signal is too weak.) If you can’t connect to a network, the system will automatically switch to “Offline” mode, in which case, you can only program the schedule through the main controller.

If you do not use the Wi-Fi, you can still program your spray schedule (as well as initiate one-minute sprays) from the touch-screen controller. You just won’t be able to use your smart phone.

Go to the iTunes App Store or Google, search for SolaMist and download the app.

**After you programmed your controller on the unit, YOU WILL NOTICE A 9-digit ID NUMBER ON THE BOTTOM RIGHT OF YOUR CONTROLLER DISPLAY. This is your product ID. You will need to enter this number into your app once you download your smart phone app. Once entered, you will be able to reset and control your SolaMist system using your smart phone.**

Your SolaMist unit is Wi-Fi compatible. You will be able to change your spray schedule, initiate a 60 second spray, order refills, all through your smart phone.

**Note:** If you take your SolaMist camping or somewhere it is not connected to Wi-Fi, you will still be able to adjust your spray settings by using the control panel inside the unit. You will not be able to use your mobile app to remotely control it.

Below is a simple screen shot of your smart phone screen once you download the app:

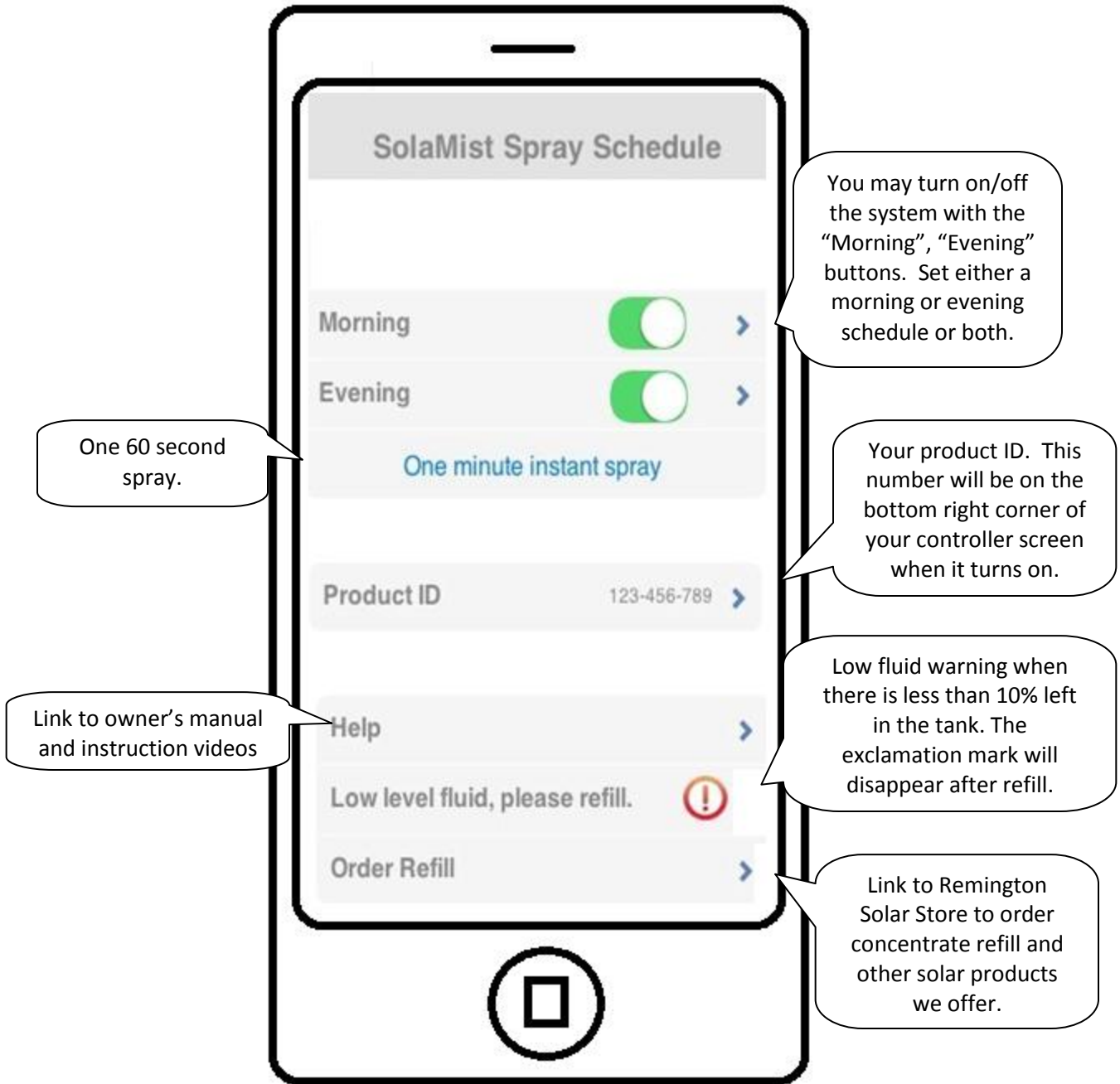


Fig. 12



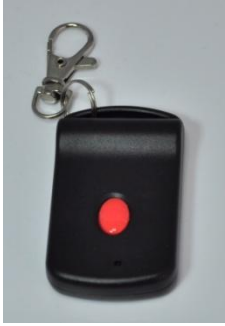


Fig. 13

**Last but not least, for your convenience, we also provide you with a small handheld remote control with “1 min instant spray” command. Aim it towards the controller; hold the button down for 5-10 seconds until the sprayer turns on.**

## **TROUBLE SHOOTING**

The SolaMist system is designed to be a set and forget trouble-free experience.

We recommend you winterize your system by running about a gallon of environmentally safe windshield washing fluid through your system when the first cold snap comes in. Also, you may extend your battery life by keeping the unit out of the freezing weather, such as a garage or storage unit.

You need to let your SolaMist charge at least one full day in the sun.

SolaMist Concentrate refills can be purchased through the app.

Additional troubleshooting information is available by clicking on the HELP button on your SolaMist app.

If you would like an additional solar panel with tubing and accessories (as a separate portable kit), you may go to [RemingtonSolar.com](http://RemingtonSolar.com).

Warranty and Registration information available through the smart phone apps.

Manufactured by:

Remington Solar, Inc  
5706 E. Mockingbird Ln  
Suite 115  
Dallas, TX 75206  
214-257-8300  
[solamist@remingtonsolar.com](mailto:solamist@remingtonsolar.com)